

### BIO-CHEK™ IN-LINE CHECK VALVE

#### FEATURES

- Inert Flow Path, no metal parts
- Choice of EPDM, Viton®, or Chemraz® check element
- PEEK or PPS housing materials
- Check against backflow pressure to 100 psi
- Small Internal Volume
- Low Cracking Pressure
- Gravity Independent installation

#### SPECIFICATIONS

Series	C	
Cracking Pressure:	EPDM	1.0 psi
	Viton®	0.8 psi
	Chemraz®	0.3 psi
Backpressure generated:	@0-30 psi	< 1 psi
	@30-50 psi	1 - 2 psi
Maximum Pressure Rating	50 psi	
Maximum Backpressure	100 psi	
Internal Volume:	Inlet	60 µl
	Outlet	68 µl
	Dual-Female	49 µl
Connection*	1/4 - 28 UNF flat bottom	
Flow	See chart on back page	

\* Consult factory for other connection options.

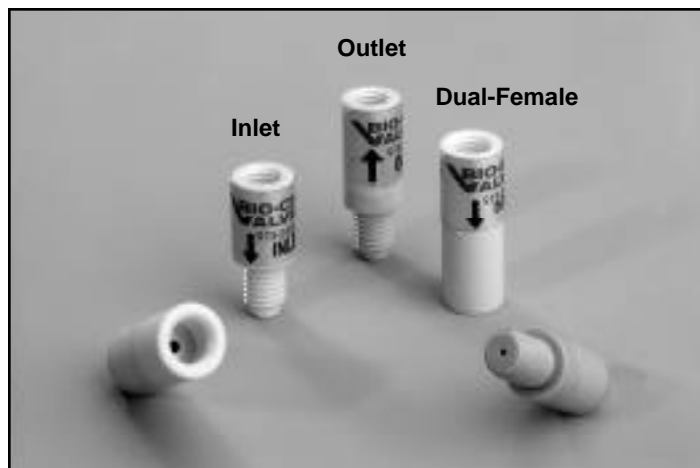
Note: These check valves are intended for liquids only.

© Viton is a registered trademark of DuPont Co.

© Chemraz is a registered trademark of Greene Tweede & Co.

#### DIMENSIONS

Series	Diameter	Female Port Depth	Male Thread Length	Total Length
CI	0.36"	0.25"	0.41"	1.00"
CO	0.36"	0.25"	0.34"	1.00"
CF	0.36"	0.25"	-----	0.87"



The *Bio-Chek™* self-sealing in-line check valves feature an inert flow path, no metal components and zero maintenance in high-purity, low-pressure applications.

Unlike spring-actuated check valves that can restrict or impede the flow path causing content (product) damage, the *Bio-Chek™* in-line check valve design features a smooth flow path that minimizes shear and turbulence. The *Bio-Chek™* valve provides a flow rate equivalent to a 0.030" orifice, a cracking pressure of 1 psi or less and check against backflow pressure to 100 psi. Available in inlet, outlet, or dual-female configurations, applications include handling syringe pump systems, vacuum systems and other low-flow processes. The valves connect to standard 1/4 - 28 flat bottom ports and fittings. Please contact a Bio-Chem Valve applications engineer for customized modifications.

Option 5 only

#### How to order:

1	C (check valve)	
2	Operating configuration	O (Outlet), I (Inlet), F (Dual-Female)
3	Housing material*	4 (PPS), 5 (PEEK)
4	Check element material	E (EPDM), V (Viton), C (Chemraz®)

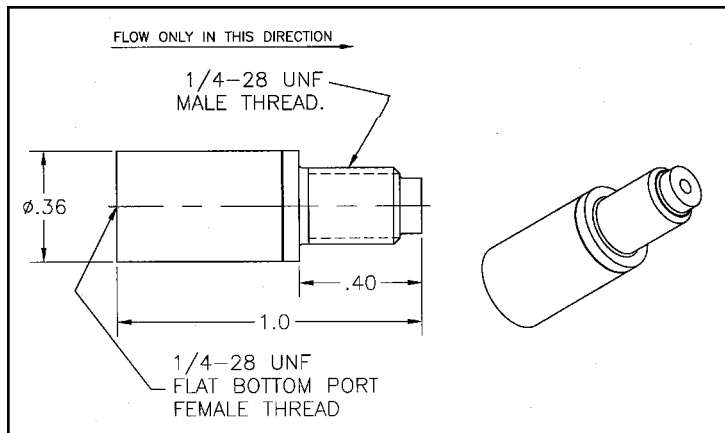
\* Note: PPS housing only with Chemraz® check element

Example: P/N      **C**      **O**      -      **5**      **E**  
                          Style      Operating      Housing      Check  
                          Configuration      Material      Element  
                          Material

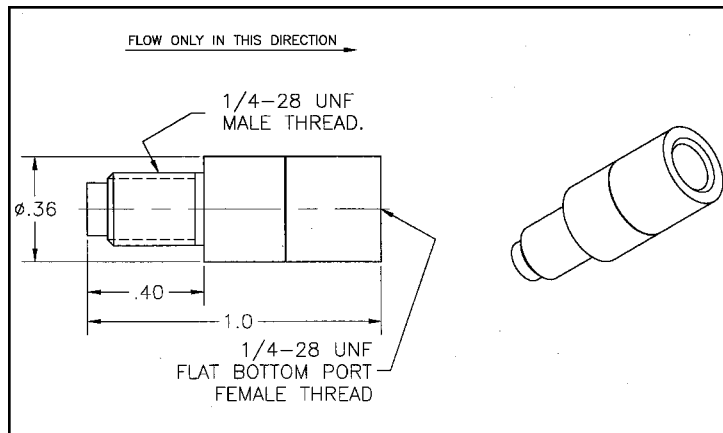
85 Fulton Street • Boonton, NJ 07005 USA  
 (973) 263-3001 • Fax: (973) 263-2880  
 www.bio-chemvalve.com  
 Email: info@bio-chemvalve.com

# INSTALLATION DIMENSIONS

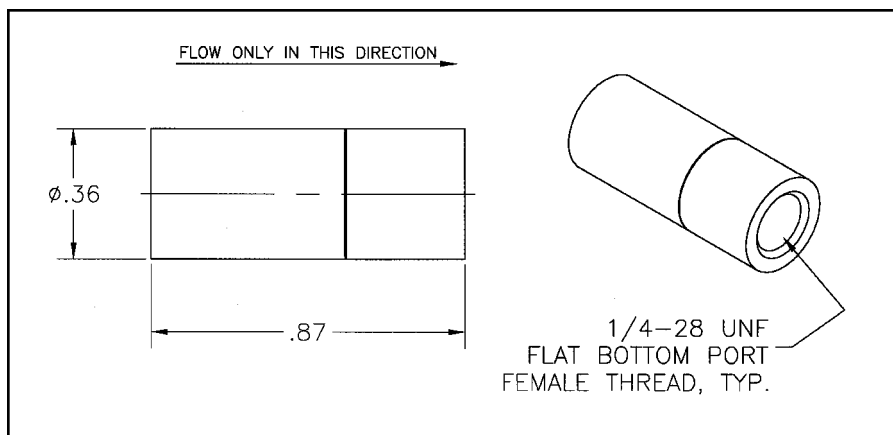
## Series CI Inlet Check Valve



## Series CO Outlet Check Valve



## Series CF Dual-Female Check Valve



## Average Flow vs. Pressure

(Intended as a guide only)

