

Bio-Chem Fluidics offers four different ways to mount your solenoid operated valve or pump in your instrument. All four styles can be used across the range of Bio-Chem Valve™ solenoid operated valves and pumps and are designed to be installed with minimum tooling or effort.



**MU-Series
Mounting
Flange**

Bulkhead Mount



**MR-Series
Mounting
Ring**



**MC-Series
Mounting
Clip**

Wall Mount



**Integral
Mounting
Holes**

Base Mount

MU-SERIES MOUNTING FLANGE



- Constructed from sturdy, glass-filled Polypropylene
- Spring steel retainer ring and set screw ensure a secure fit
- Surface withstands alcohol, bleaches and other common cleaning agents
- Screw hole orientation relative to tubing can be adjusted to fit available system space

MC-SERIES MOUNTING CLIP



- Constructed from Spring Steel
- Simple construction - no tools required to secure valve into position
- Holds valve securely inside instrument

MR-SERIES MOUNTING RING



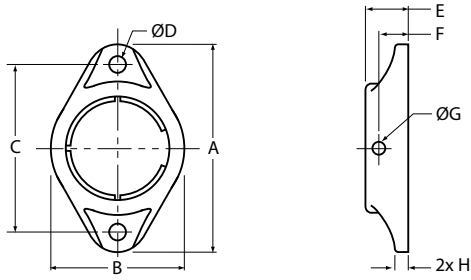
- Constructed from Aluminum
- Tightening screw secures ring firmly to valve but can be loosened for re-positioning
- Can be bulkhead mounted, inside or outside
- Screw hole orientation relative to tubing can be adjusted to fit available system space

INTEGRAL MOUNTING HOLES



- Threaded mounting holes in the base of the valve or pump provide a more permanent way to mount directly to a plate or base
- Order mounting holes by adding the suffix "M" to the standard part number

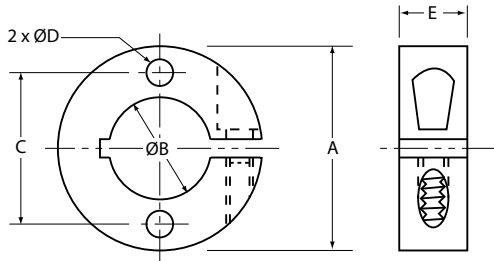
MU-Series



| | A | B | C | D | E | F | G | H |
|--------|-------------|-------------|-------------|------------|-------------|------------|------------|------------|
| MU-075 | 1.55 / 39.4 | 1.00 / 25.4 | 1.25 / 31.8 | 1/8 / 3.2 | 0.32 / 8.1 | 0.22 / 5.6 | 3/64 / 2.0 | 0.10 / 2.5 |
| MU-100 | 1.92 / 48.8 | 1.25 / 31.8 | 1.58 / 40.1 | 5/32 / 4.0 | 0.42 / 10.7 | 0.32 / 8.1 | 3/64 / 2.0 | 0.12 / 3.0 |

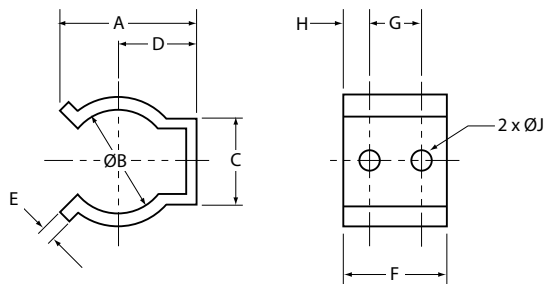
D represents round holes on MU-075 and slots (0.20"/5mm long) on MU-100

MR-Series



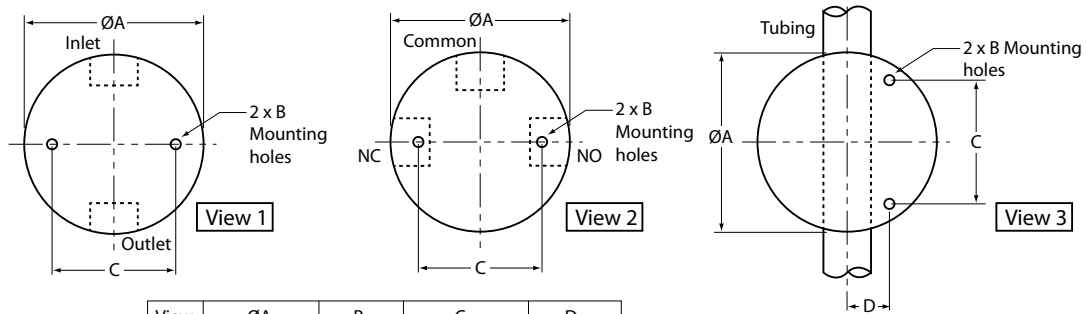
| | A | B | C | D | E |
|--------|-------------|-------------|-------------|------------|-------------|
| MR-075 | 1.50 / 38.1 | 0.75 / 19.1 | 1.13 / 28.7 | 0.20 / 5.1 | 0.50 / 12.7 |
| MR-100 | 1.75 / 44.5 | 1.00 / 25.4 | 1.38 / 35.0 | 0.20 / 5.1 | 0.50 / 12.7 |
| MR-150 | 2.25 / 57.2 | 1.50 / 38.1 | 1.88 / 47.6 | 0.20 / 5.1 | 0.57 / 14.4 |

MC-Series



| | A | B | C | D | E | F | G | H | J |
|--------|-------------|-------------|-------------|-------------|------------|-------------|------------|------------|------------|
| MC-075 | 1.00 / 25.4 | 0.75 / 19.1 | 0.39 / 9.9 | 0.51 / 13.0 | 0.02 / 0.5 | 0.75 / 19.1 | 0.38 / 9.5 | 0.19 / 4.8 | 0.15 / 3.8 |
| MC-100 | 1.13 / 28.7 | 1.00 / 25.4 | 0.51 / 13.0 | 0.68 / 17.3 | 0.03 / 0.8 | 0.75 / 19.1 | 0.38 / 9.5 | 0.19 / 4.8 | 0.14 / 3.6 |

Mounting holes



| | View | ØA | B | C | D |
|-------------------|-------|----|--------------------------|--------------------|-------------|
| 2-way Iso. Valves | 075T2 | 1 | 0.75 / 19.1 | #4-40 ¹ | 0.50 / 12.7 |
| | 100T2 | 1 | 1.00 / 25.4 | #4-40 ¹ | 0.69 / 17.5 |
| Micro-Pumps | 120SP | 1 | 1.00 / 25.4 | #4-40 | 0.69 / 17.5 |
| | 150SP | 1 | 1.50 / 38.1 | #8-32 | 1.13 / 28.7 |
| 3-way Iso. Valves | 075T3 | 2 | 0.75 / 19.1 ² | #4-40 | 0.69 / 17.5 |
| | 100T3 | 2 | 1.00 / 25.4 | #4-40 | 0.69 / 17.5 |
| Pinch Valves | 075P2 | 3 | 0.75 / 19.1 | #2-56 | 0.50 / 12.7 |
| | 100P2 | 3 | 1.00 / 25.4 | #4-40 | 0.69 / 17.5 |

¹ PTFE body has untapped holes for #4-40 self-tapping screws

² PTFE body is 0.88" [22.2mm] diameter

Mounting Options

BIO-CHEM FLUIDICS

All dimensions are in inches / mm

Bio-Chem Fluidics Inc
85 Fulton Street, Boonton NJ 07005 USA
t: 973 263 3001 f: 973 263 2880 e: sales.us@biochemfluidics.com

Bio-Chem Fluidics Ltd
2 College Park, Coldhams Lane, Cambridge CB1 3HD UK
t: +44 (0) 1223 416642 f: +44 (0) 1223 416787 e: sales.eu@biochemfluidics.com

Bio-Chem Fluidics Technology (Shanghai) Co. Ltd
South Metropolis Industrial Park, Jindu Road, Minhang District, Shanghai, PRC 201108
t: +86 21 61519058 f: +86 21 61519090